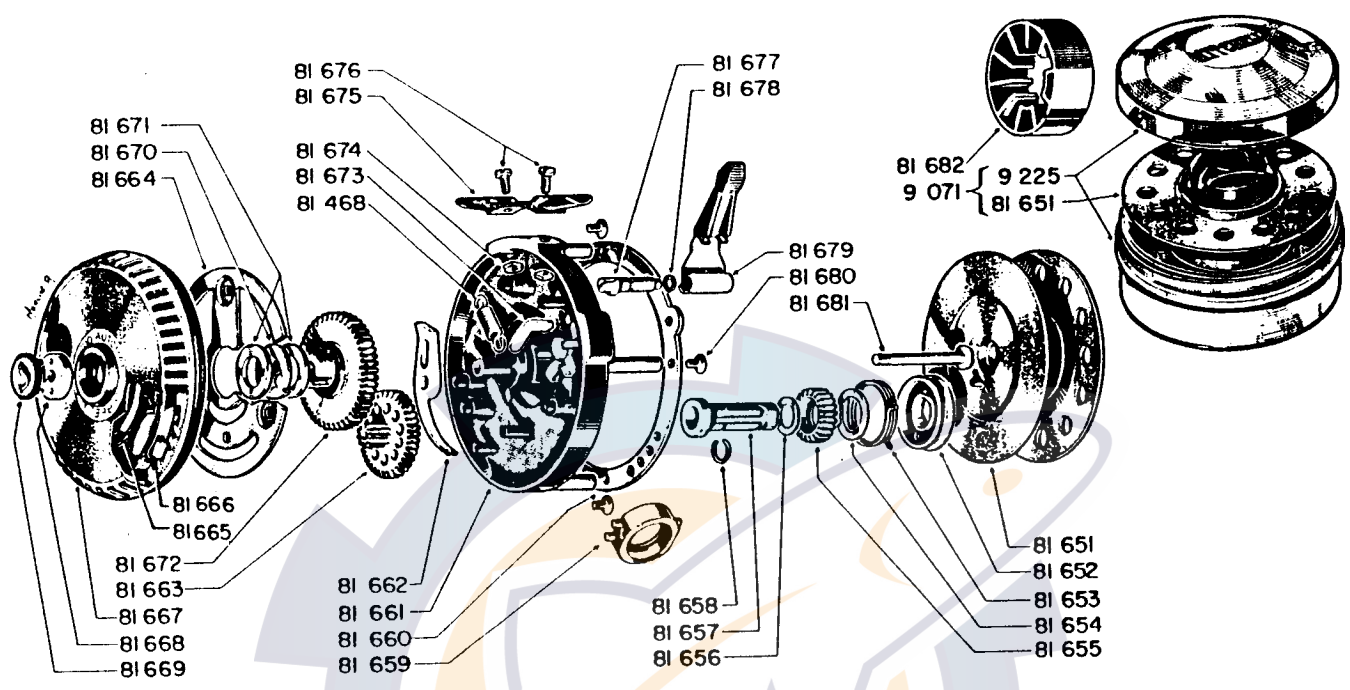


Garcia MITCHELL 710



Prices subject to change without notice

Please specify both reel model and part numbers when ordering.

| No. | Part Name | Price | No. | Part Name | Price | No. | Part Name | Price |
|------------|--------------------|-------|------------|-----------------------|-----------|------------|--------------------------|-------|
| 9071 | Spool | 3.50 | 81661 (19) | Housing Assembly | 3.85 | 81673 (33) | Brake Lever Dog | .10 |
| 9225 (43) | Spool Container | .75 | 81662 (20) | Click Pawl | .15 | 81674 (34) | Reel Foot Lock Nut (ea.) | .10 |
| 81468 (32) | Brake Lever Spring | .15 | 81663 (21) | Transfer Gear | 1.10 | 81675 (35) | Reel Foot | 1.00 |
| 81652 (10) | Brake Drum | 1.00 | 81664 (22) | Ininner Housing Plate | .35 | 81676 (36) | Reel Foot Screw (ea.) | .10 |
| 81653 (11) | Brake Spring | .50 | 81665 (23) | Drive Spring | 2.50 | 81677 (37) | Brake Lever Shaft | .20 |
| 81654 (12) | Brake Drum Washer | .10 | 81666 (24) | Drive Spring Anchor | .10 | 81678 (38) | "O" Ring | .10 |
| 81655 (13) | Pinion Gear | .75 | 81667 (25) | Drive Spring Casing | 2.25 | 81679 (39) | Brake Lever | .55 |
| 81656 (14) | Pinion Washer | .05 | 81668 (26) | Main Nut | .20 | 81680 (40) | Pillar Screw (ea.) | .10 |
| 81657 (15) | Bushing | 1.30 | 81669 (27) | Main Nut Cap | .25 | 81681 (41) | Main Screw | .25 |
| 81658 (16) | "C" Lock | .10 | 81670 (29) | Ratchet Ring | .10 | 81682 (42) | Spool Arbor | .35 |
| 81659 (17) | Line Guard | 1.25 | 81671 (30) | Spacer | (ea.) .10 | | | |
| 81660 (18) | Outer Housing Ring | .75 | 81672 (31) | Drive Gear | 2.65 | | | |

PARTS AND SERVICE AVAILABLE AT THE FOLLOWING REGIONAL FACTORY REPAIR DEPOTS:

**FACTORY SERVICE
RODS, REELS AND PARTS**

**THE GARCIA SERVICE DEPARTMENT
329 ALFRED AVENUE
TEANECK, NEW JERSEY 07666**

**THE CONOLON CORPORATION
1111 EAST McFADDEN STREET
SANTA ANA, CALIFORNIA 92705**

**SILICOTE SALES DIVISION
520 WEST 14th AVENUE
OSHKOSH, WISCONSIN 54902**

**J. K. CLARK COMPANY
ACO SPORTSMEN SERVICE
13501 VAN DYKE
DETROIT, MICHIGAN 48234**

REEL SERVICE AND PARTS

**NATE BUELL SERVICE CORPORATION
5013 N.E. 42nd STREET
PORTLAND, OREGON 97218**

**HARRY C. MILLER CO., INC.
257 PARK AVENUE SOUTH
NEW YORK, NEW YORK 10010**

**SHERMAN LOYD SALES COMPANY
4737 GREENVILLE AVENUE
DALLAS, TEXAS 75206**